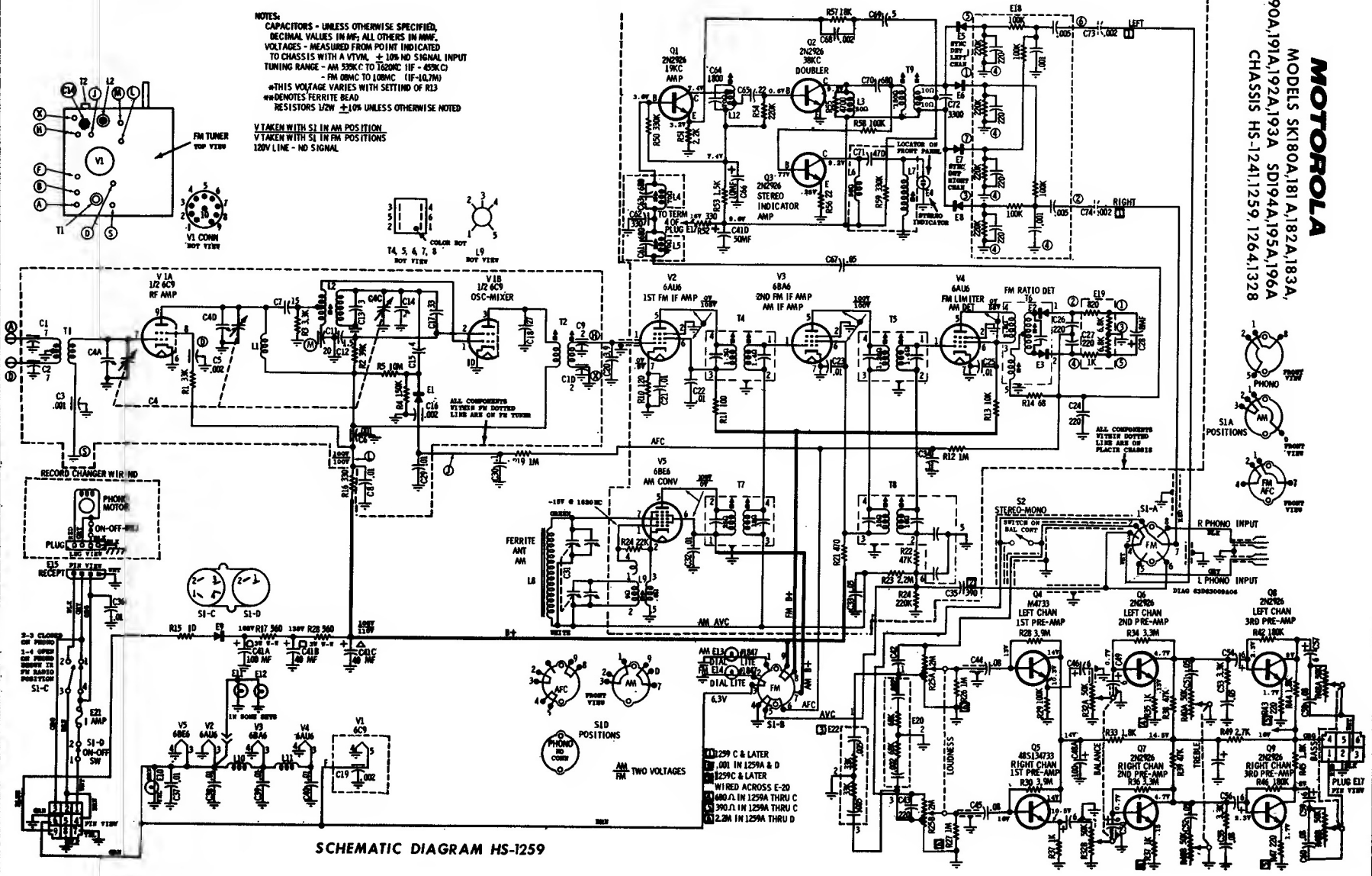


MOTOROLA

MODELS SK180A,181A,182A,183A,
190A,191A,192A,193A SD194A,195A,196A,
CHASSIS HS-1241,1259,1264,1328

NOTES:
CAPACITORS - UNLESS OTHERWISE SPECIFIED,
DECIMAL VALUES IN MF; ALL OTHERS IN MMF.
VOLTAGES - MEASURED FROM POINT INDICATED
TO CHASSIS WITH A VTVM, $\pm 10\%$ NO SIGNAL INPUT
TUNING RANGE - AM 530KC TO 1620KC; HF - 455KC
FM 88MC TO 108MC (LF-10.7MC)
*THIS VOLTAGE VARIES WITH SETTING OF R3
#DENOTES FERRITE BEAD
RESISTORS $1/2W \pm 10\%$ UNLESS OTHERWISE NOTED

V TAKEN WITH S1 IN AM POSITION
V TAKEN WITH S1 IN FM POSITIONS
120V LINE - NO SIGNAL



SCHEMATIC DIAGRAM HS-1259

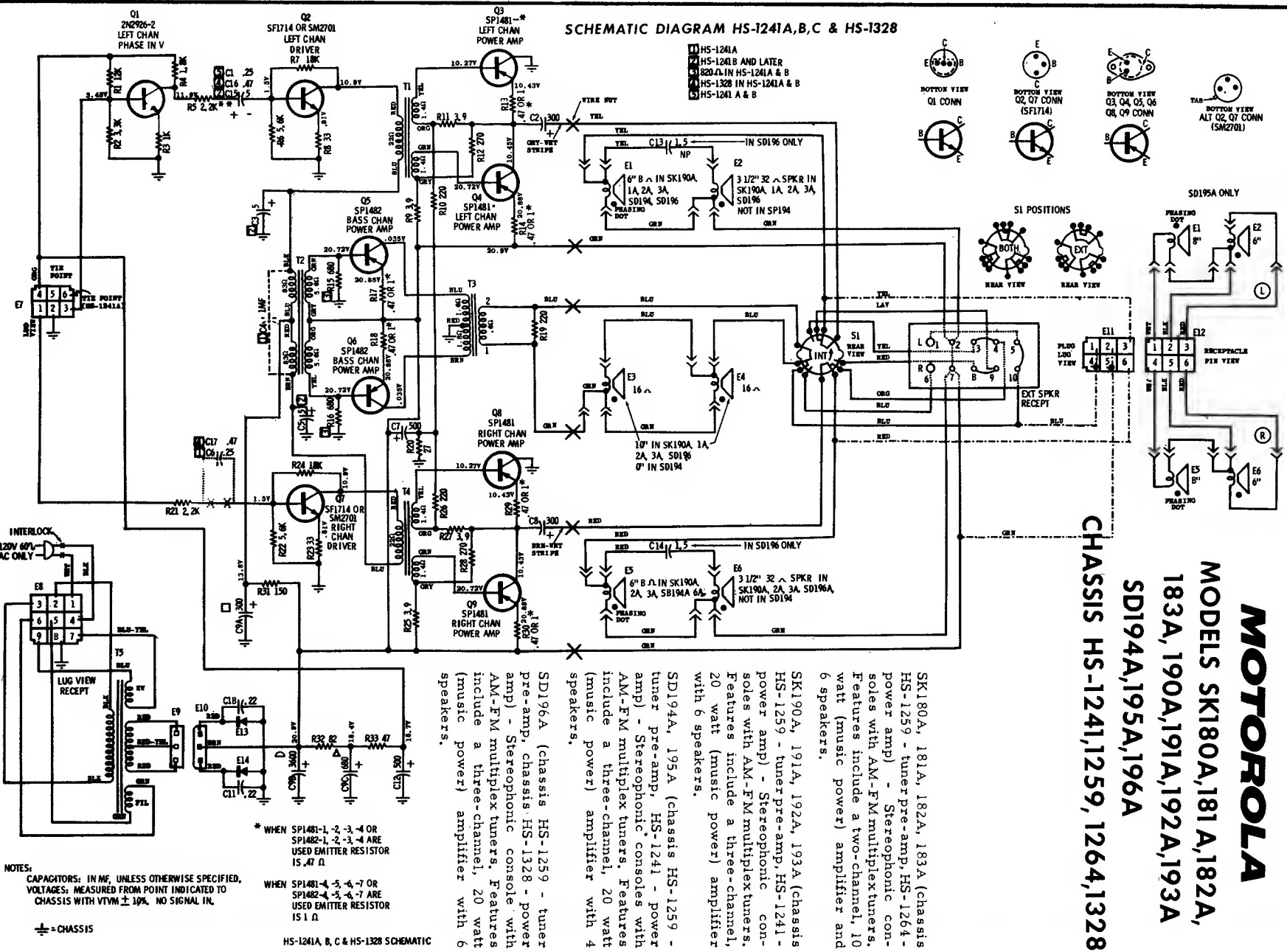
1299 C & LATER
100 L IN 1259A & D
1259C & LATER
480 L IN 1259A THRU C
390 L IN 1259A THRU C
2.2M IN 1259A THRU D

MOTOROLA

MODELS SK180A, 181A, 182A, 183A,
183A, 190A, 191A, 192A, 193A
SD194A, 195A, 196A

CHASSIS HS-1241, 1259, 1264, 1328

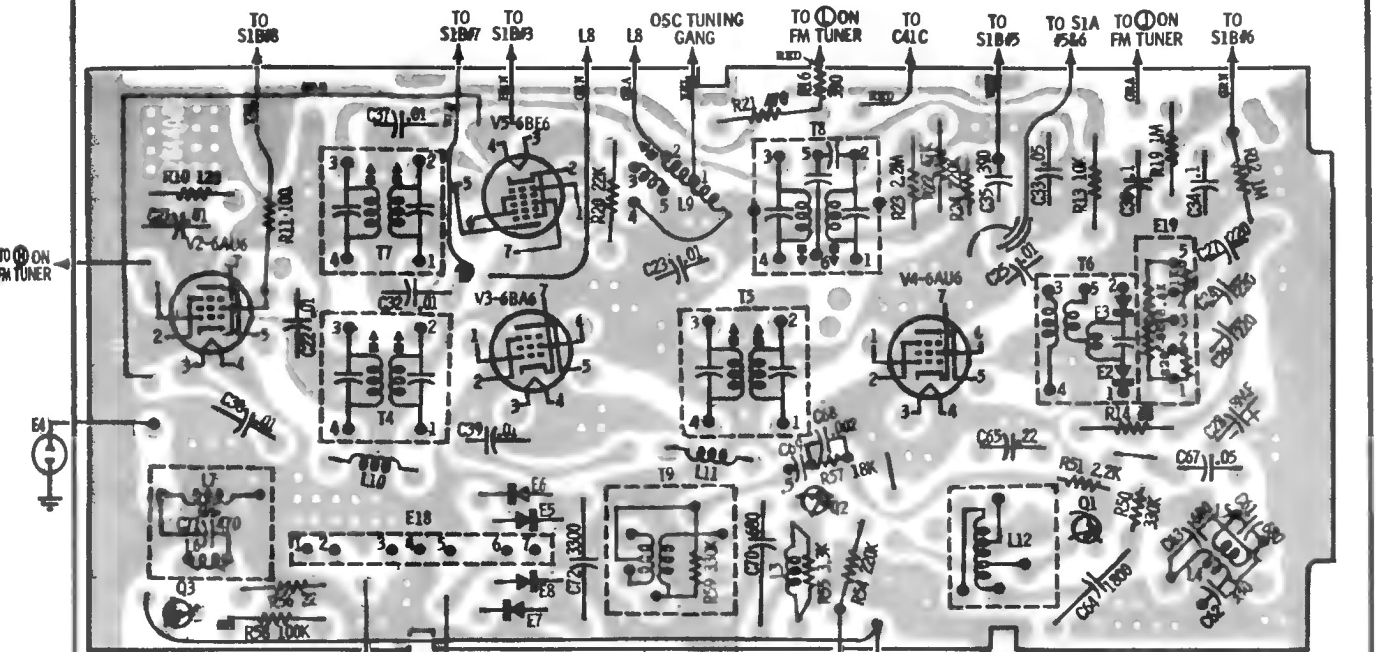
SCHEMATIC DIAGRAM HS-1241A, B, C & HS-1328



HS-1241A, B, C & HS-1328 SCHEMATIC

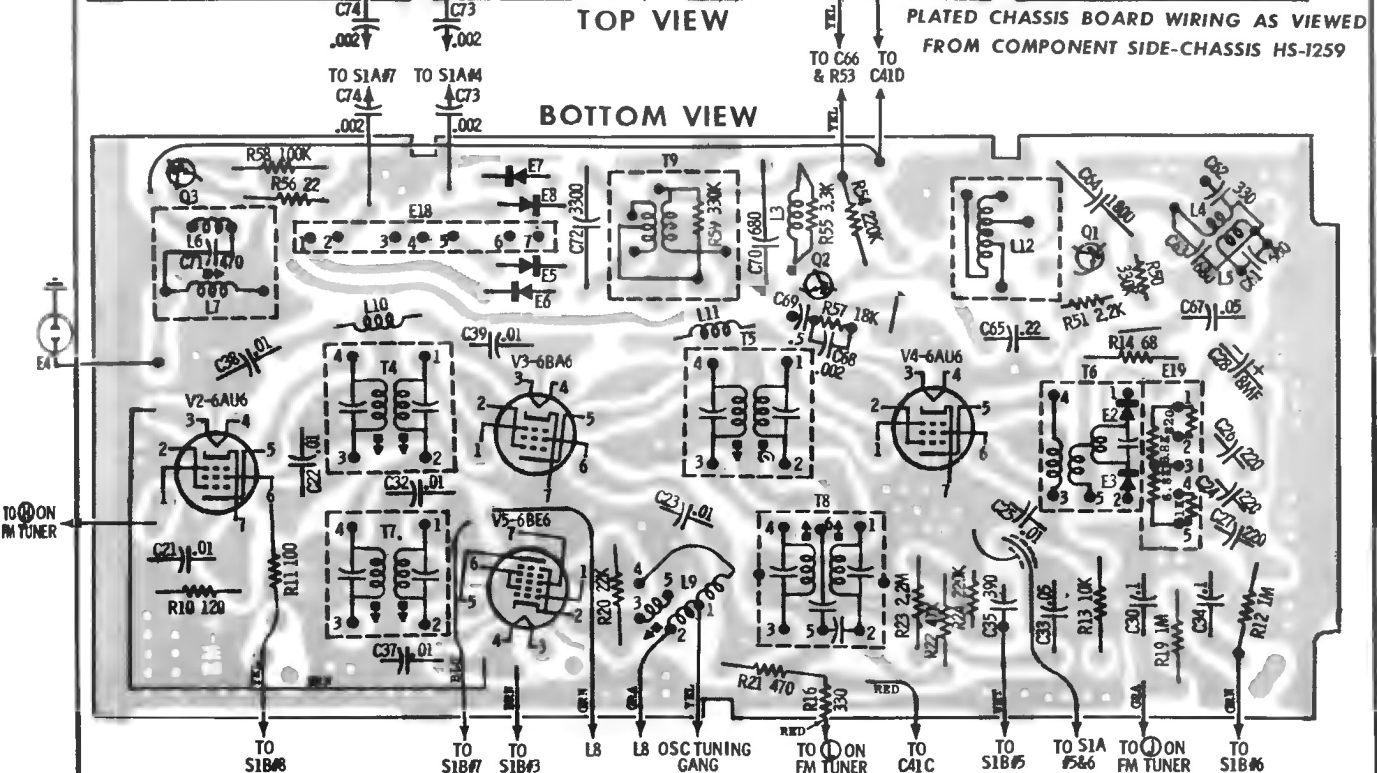
MOTOROLA

MODELS SK180A,181 A,182A,183A,
190A,191A,192A,193A SD194A,195A,196A
CHASSIS HS-1241,1259,1264,1328



TOP VIEW

PLATED CHASSIS BOARD WIRING AS VIEWED
FROM COMPONENT SIDE-CHASSIS HS-1259



BOTTOM VIEW

PLATED CHASSIS BOARD AS VIEWED FROM BOTTOM-(COMPONENTS
SHOWN ARE LOCATED ON OPPOSITE SIDE)-CHASSIS HS-1259